

CATER-COOK

4 Pot Bain Marie - Instruction Manual

Model: CK8004

To avoid risk of accidents or damage to the appliance, it is essential to read these instructions before it is installed and used for the first time.



Caterkwik Ltd

The Lakeland Catering Centre
Newlands
Ulverston
Cumbria
LA12 7QQ

01229 480001

info@caterkwik.co.uk



CE



4 Pot Bain Marie - Instruction Manual

Basic Specification

Name	Commercial Electric Bain Marie
Model No	CK8004
Voltage	220V
Power	1.8kW
Number of Wells	4
Temperature Range	30°C - 85°C



4 Pot Bain Marie - Instruction Manual

Appliance Operation

Cleaning The Appliance



Failure to clean the appliance in accordance with the following guidelines could cause damage to the appliance and its function and invalidate the warranty.

Clean stainless steel surfaces with a wet cloth and then wipe dry with a soft cloth.

Soak baked or hardened spills first to loosen them.

Stainless steel surfaces can also be cleaned using a non-abrasive stainless steel cleaner.

To help prevent tarnishing, A stainless steel conditioner can be applied to affected areas.

Using The Appliance

- 1) Make sure the appliance sits on a level surface.
- 2) Plug in the power.
- 3) Use the temperature dial on the appliance to adjust to your desired temperature.
- 4) When the appliance reaches your preset temperature, the indicator light will go out.

You may notice the indicator light turning on and off while in use. This indicates that the appliance is maintaining the appropriate temperature.

- 5) When you have finished using, Adjust the dial on the appliance to 'OFF' and unplug the power cord from the wall. Allow the appliance to cool.

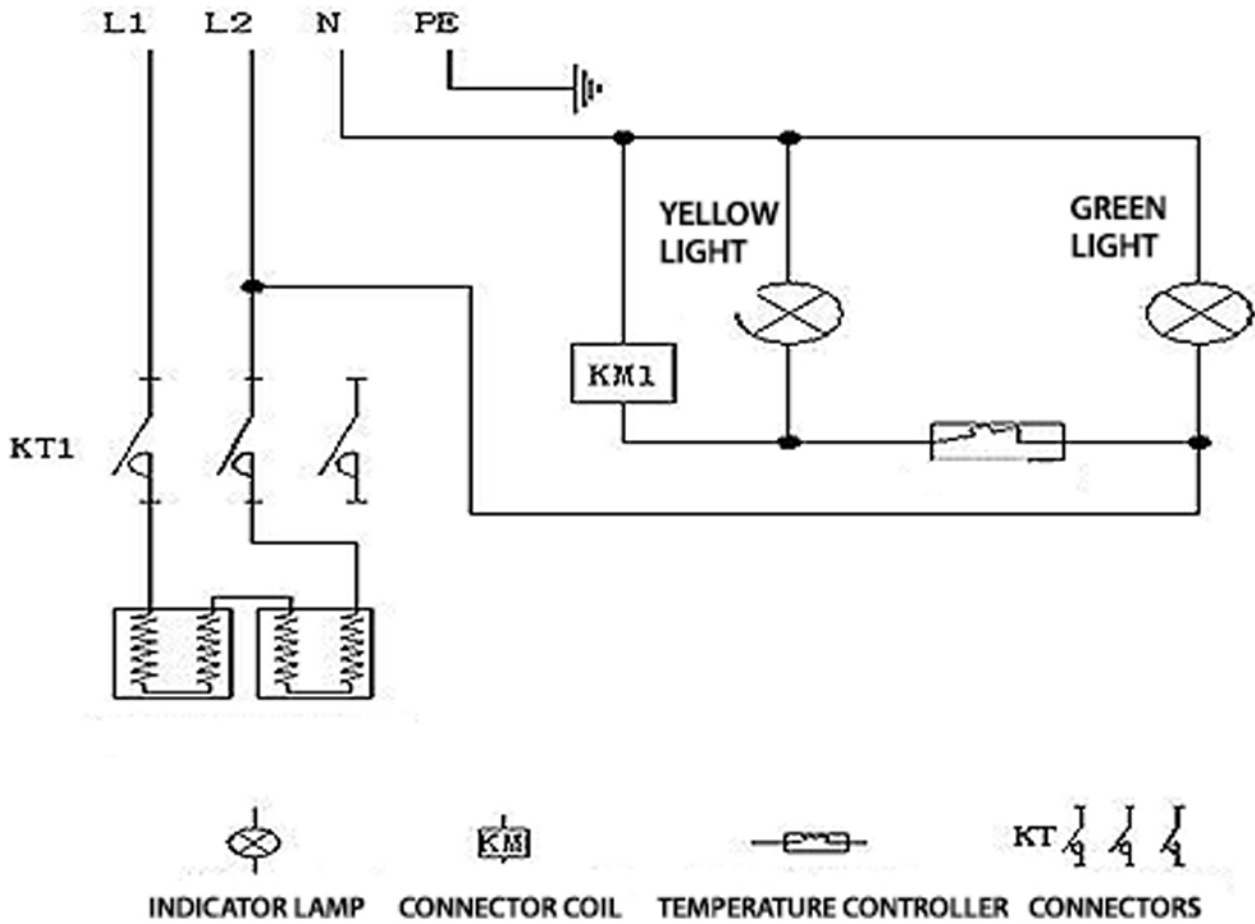


4 Pot Bain Marie - Instruction Manual

Safety Precautions

- 1) These units are designed to operate on alternating current supply only. **DO NOT CONNECT TO DIRECT CURRENT SUPPLY.**
- 2) Care should be taken when operating the appliance, as hot surfaces may cause burns.
- 3) If the supply cord is damaged, it must be replaced by the manufacturer or a qualified electrician.
- 4) Children should be supervised to ensure they do not play with or around the appliance.
- 5) The appliance must not be cleaned with a water jet.
- 6) In the event of any damage to the appliance, It must be turned off immediately and disconnected from the electrical supply by either unplugging the appliance manually, or disconnecting the power via the fuse box or circuit breaker.
- 7) Ensure power is not being supplied to the appliance while repair work is being carried out.
- 8) Repairs should only be performed by a qualified technician to ensure the repairs are carried out and completed safely.
- 9) While the appliance is under warranty, repairs should only be performed by an authorized service technician. Otherwise, the warranty will be deemed as void.
- 10) All repairs should be performed by a trained technician in strict accordance with national and local codes. Any repairs or maintenance performed by unqualified personnel could be dangerous, and should **NOT** be attempted.

4 Pot Bain Marie - Instruction Manual Electrical Diagram





Troubleshooting

Problem	Reason	Solution
1) The green indicator light is not lit when you turn the power on.	1) The power fuse is burned out. 2) The power wire is improperly connected. 3) The light has burned out.	1) Replace with a suitable fuse. 2) Tighten the power wire connection. 3) Replace the light bulb.
2) The yellow indicator light is always lit. You can not control the temperature.	1) The indicator light is improperly connected. 2) The thermostat has failed.	1) Reconnect the indicator light. 2) Replace the thermostat.
3) The yellow indicator light is not on, the temperature can be controlled normally.	1) The indicator light is improperly connected. 2) The indicator light has burned out.	1) Connect the light correctly. 2) Replace the light bulb.
4) The hot plate does not heat up when turned on.	1) The overheating protection has been activated. 2) The electrical circuit has blown a fuse or tripped circuit breaker	1) The unit has gotten too hot, leave to cool completely. 2) Replace fuse, or arrange an electrician to visit.



To prevent damage due to electrical discharge, turn off power to the appliance as soon as possible if adverse weather conditions occur.



Correct Disposal Of This Product



This marking indicates that this product should not be disposed of with other household wastes. To prevent possible harm to the environment or human health from uncontrolled waste disposal, recycle it responsibly to promote sustainable reuse of material resources. To return the appliance for correct disposal contact Caterkwik Returns Department on 01229 480001.

Notes: